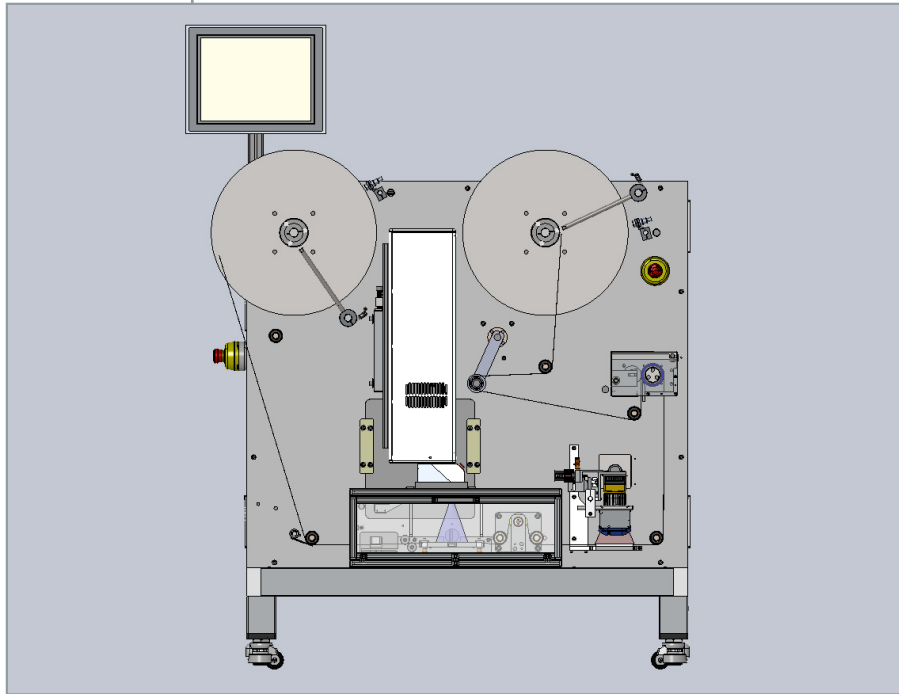




Weiler Labeling Systems



Shown with optional laser printer and vision camera

LC-100 **Stand-Alone** **High Speed Coding**

1256 North Church Street
Moorestown, NJ 08057 USA
+1 856 273 3377
+1 856 231 9883 fax
sales@weilerls.com
www.weilerls.com

Building on the company's expertise in labeling and high-speed continuous-motion printing and inspection, WLS has introduced its **LC-100** label coder which is designed for high-speed, efficient, accurate and economical coding of labels. With its own PC and separately validated controls, the **LC-100** is used as a stand-alone unit and the coded labels can be run on existing labelers resulting in minimal down time or changes to the labeler operations.

Depending on the application the **LC-100** is capable of handling labels at speeds in excess of 500ppm and offers a fast and easy way to serialization compliance where one or more packaging lines need to be upgraded.

The **LC-100** delivers total flexibility by offering multiple printing and vision options. Thermal transfer or laser printers can be integrated to print or scribe human-readable and/or 2D Data Matrix serialized codes onto the label. In addition various vision platforms can be used to re-acquire and verify each code for readability and accuracy.

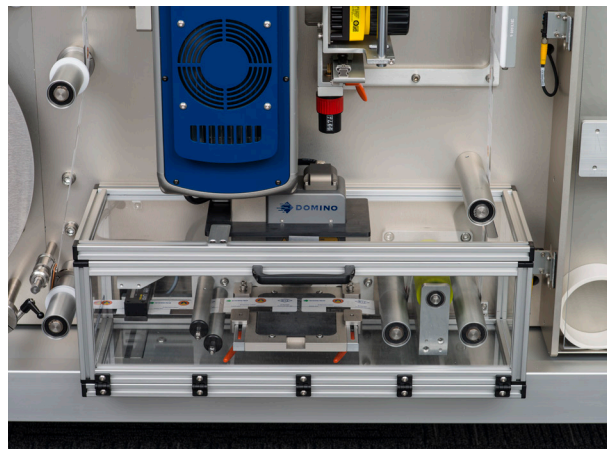
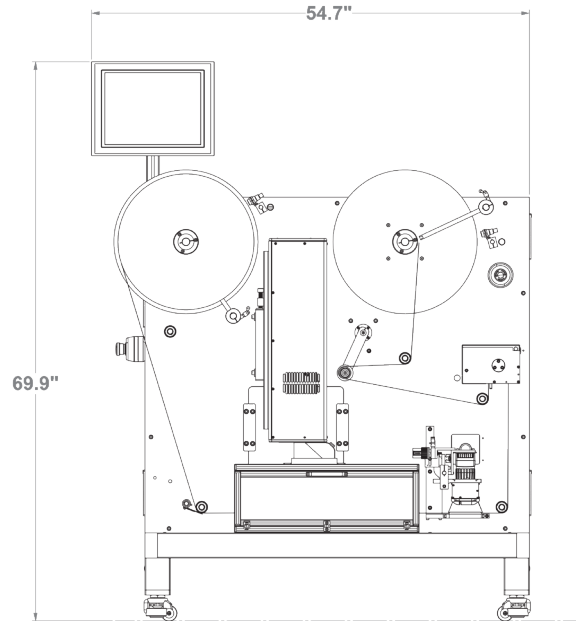
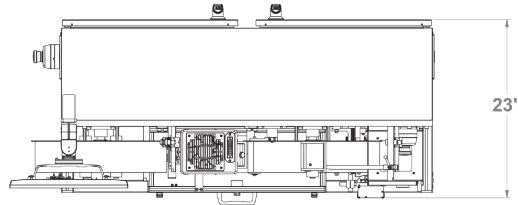
Backed by WLS' reputation of quality, impeccable service and customer care, and industry leading extended warranty coverage, the **LC-100** is built to meet the most challenging label coding demands.



LC-100 Stand-alone High Speed Coding

SALES AND SERVICE

WLS Sales and Service assures responsive and comprehensive technical assistance in solving your labeling application problems, servicing your WLS equipment, and providing a full line of compatible systems supplies.



Shown with optional laser printer

SPECIFICATIONS

- Roll Size:
 - Diameter – 18" (457mm)
 - Core – 3" (76mm)
- Label Size:
 - Width – 0.75" (19mm) to 4" (101mm)
 - Length – unlimited
- Coding Speed:
 - Label Speed – In excess of 500 labels per minute*
 - *Dependent on label length, printing and vision requirements
- Code Dispensing Accuracy:
 - Code Placement – As close as +/- 0.020" (+/- 0.5mm)**
 - **Dependent on label specifications and printing requirements
- Typical Footprint: 55" (1397mm) wide by 23" (585mm) deep

FEATURES

- Compact footprint
- Balcony-style structure
- cGMP compliant construction
- Integrated electrical enclosure
- B&R controls and motion
- Servomotor-driven unwind, nip roller and rewind
- Low level, end of web and broken web detection
- Fixed position, user-friendly and password protected HMI

OPTIONS

- Integration of all major code printing (i.e. thermal transfer, laser) and vision inspection brands
- Code inspection, verification and/or grading
- Automatic removal of labels with a failed code
- Data collection
- Remote Ethernet access (for long distance diagnostics)
- 21CFR Part 11 compliance
- DDS/FAT documentation
- UL, seismic and CE certifications