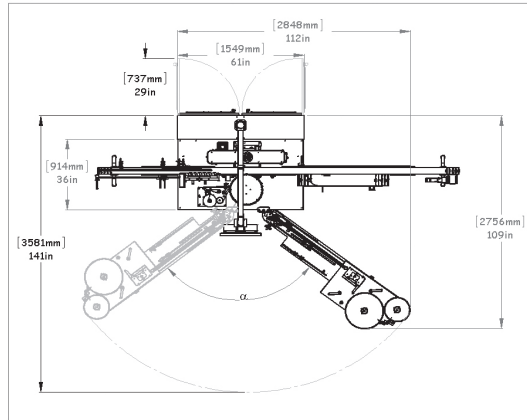




VR Vertical Roller In-Line Labeler

SALES AND SERVICE

WLS Sales and Service assures responsive and comprehensive technical assistance in solving your labeling application problems, servicing your WLS equipment, and providing a full line of compatible systems supplies.



SPECIFICATIONS

- Container Type: Round glass, metal or plastic
- Container Diameter: 0.5" (13mm) to 5" (127mm)
- Container Height: Only limited by container stability
- Speed: Up to 1000cpm
- Label Accuracy range:
 - Vertical Position: Dependent on label roll slitting accuracy
 - Skew: Dependent on container sidewall vertical accuracy



Reconfigurable Rollers

FEATURES

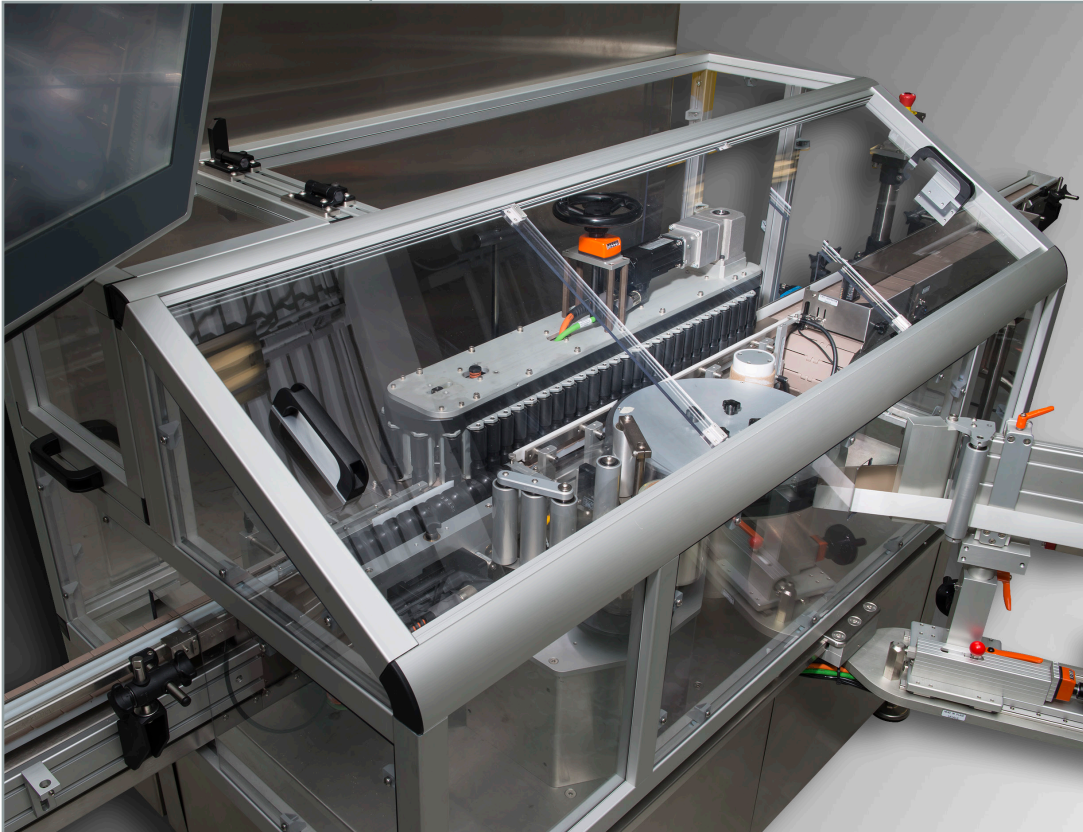
- Compact footprint
- Left hand or right hand discharge
- cGMP compliant construction
- Stainless steel clad base
- Zero-access Cat 3 or better guarding
- Synchronized servomotor-driven feedscrew, trunnion, vacuum drum and conveyor drives
- Vacuum drum label dispenser (for continuous high-speed web handling)
- Reject station with accumulation tray
- Tool-less quick changeover
- Boom mounted, user friendly and password protected HMI
- Positive track and reject
- No proprietary electronics

OPTIONS

- Container tooling including interchangeable trunnion rollers
- Removable roller track design for quick container size and pitch changes
- Reject conveyor lane or vacuum soft-reject starwheel
- X-3 or X-4 label head
- Integration of all major code printing (thermal ink jet, thermal ribbon and laser) and vision inspection brands
- Serialization capable (for label code)
- Patented Reconciler (for automatic rejected label removal & tracking)
- Glued topsert application
- OEE (Overall Equipment Effectiveness) and other custom HMI screens
- Data Collection
- Remote Ethernet access (for long distance diagnostics)
- 21CFR Part 11 compliance
- FAT/DDS/IQOQ documentation
- UL, seismic and CE certification



Weiler Labeling Systems



1256 North Church Street
Moorestown, NJ 08057 USA
+1 856 273 3377
+1 856 231 9883 fax
sales@weilerls.com
www.weilerls.com

VR **Vertical Roller** **In-Line Labeler**

Ultra-High Speed, Precise Labeling

Designed for the application of a film or paper pressure sensitive label onto round containers, the WLS **VR** in-line labeler combines a modular platform with a breakthrough vertical roller track design that references the container sidewall for consistent and precise label application. The **VR** fully synchronized electronic drive train also allows for ease of operation and fast changeovers via HMI-based recipe control. This construction ensures years of trouble-free operation at highest efficiency levels with minimal maintenance requirements. The **VR** comes with a zero-access guarding package, meeting the most stringent safety standards.

The **VR** can be configured with a variety of options such as single or redundant label heads, removable rollers for quick container size and pitch changes, label coding and inspection including serialized codes, patented Reconciler feature, and 21CFR Part 11 and CE compliance. The WLS patented Reconciler removes, counts and rewinds rejected labels prior to their application onto a container.

The **VR** is the latest update in our long history of robust machine designs. Backed by WLS' reputation of quality, impeccable service and customer care, and industry leading extended warranty coverage, it is built to meet the most challenging labeling demands.